

**Modular Cooking Range Line
 thermaline 80 - 4 Zone Freestanding
 Electric Solid Top with Ecotop, 2 Sides,
 H=800**

ITEM # _____

MODEL # _____

NAME # _____

SIS # _____

AIA # _____



588361 (MALDFCHDAO) Electric Solid Top, 4 zones, ecoTop coating, two-side operated

Short Form Specification

Item No. _____

Unit constructed according to DIN 18860_2 with 20 mm drop nose top and 70 mm recessed plinth. Internal frame for heavy duty sturdiness in stainless steel. 2 mm top in 1.4301 (AISI 304). Flat surface construction, easily cleanable. THERMODUL connection system enables seamless worktop when units are connected and avoids soil penetrating. ECOTOP model with a 20 mm thick steel cooking surface with heat retaining coating. 4 independently controlled heating zones with 2 electronic sensors per zone for temperature surface control and 8 power levels. Rapid plate heat up, continuously ready to use. Overheat protection switches off the supply in case of overheating. Standby function saves energy and quickly recovers maximum power. Metal knobs with embedded hygienic silicon "soft" grip enable easier handling and cleaning. IPX5 water resistance certification. Configuration: Freestanding, two-side operated.

Main Features

- 4 heating zones independently controlled.
- Rapid heat up of the plate and continuously ready for use.
- Overheat protection: a temperature sensor switches off the supply in case of overheating.
- Pans can easily be moved from one area to another without lifting.
- Wide rounded cleaning zone around the plates for easier cleaning.
- IPX5 water resistance certification.
- All major components may be easily accessed from the front.
- ECOTOP model has a 20 mm thick steel DIN 1.7335 nickel coated cooking surface.
- THERMODUL connection system creates a seamless work top when units are connected to each other thus avoiding soil penetrating vital components and facilitating the removal of units in case of replacement or service.
- Metal knobs with embedded hygienic silicon "soft" grip for easier handling and cleaning. The special design of the controls prevent infiltration of liquids or soil into vital components.
- Large visible digital display manufactured in tempered glass to resist heat and chemicals, showing temperatures or power settings. The display also shows on/off status of the appliance and on/off status of the heating elements.
- Cooking plate and base joint profile guarantee against soil infiltration.
- Two electronic sensors per zone to control surface temperature and to protect cooking plate from overheating.
- 8 power levels.

Construction

- 2 mm top in 1.4301 (AISI 304).
- Unit constructed according to DIN 18860_2 with 20 mm drop nose top and 70 mm recessed plinth.
- Flat surface construction with minimal hidden areas to easily clean all surfaces
- Unit constructed according to DIN 18860_2 with 20 mm drop nose top.
- Internal frame for heavy duty sturdiness in stainless steel.

Sustainability

- Standby function for energy saving and fast recovery of maximum power.

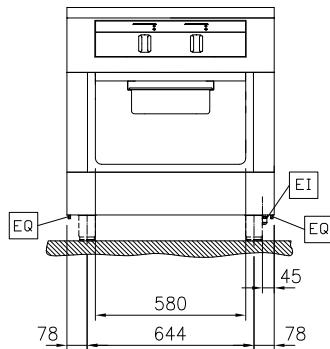


APPROVAL: _____

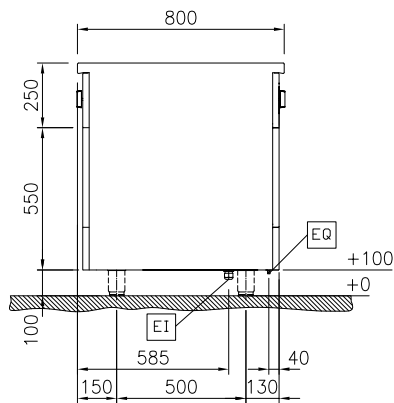
Optional Accessories

- Connecting rail kit, 800mm PNC 912500
 - Stainless steel side panel, 800x800mm, freestanding PNC 912508
 - Portioning shelf, 800mm width PNC 912526
 - Portioning shelf, 800mm width PNC 912556
 - Folding shelf, 300x800mm PNC 912577
 - Folding shelf, 400x800mm PNC 912578
 - Fixed side shelf, 200x800mm PNC 912583
 - Fixed side shelf, 300x800mm PNC 912584
 - Fixed side shelf, 400x800mm PNC 912585
 - Stainless steel front kicking strip, 800mm width PNC 912598
 - Stainless steel side kicking strips left and right, freestanding, 800mm width PNC 912619
 - Stainless steel plinth, freestanding, 800mm width PNC 912825
 - Connecting rail kit: modular 80 (on the left) to ProThermetic tilting (on the right), ProThermetic stationary (on the left) to ProThermetic (on the right) PNC 912971
 - Connecting rail kit: modular 80 (on the right) to ProThermetic tilting (on the left), ProThermetic stationary (on the right) to ProThermetic (on the left) PNC 912972
 - Endrail kit, flush-fitting, left PNC 913109
 - Endrail kit, flush-fitting, right PNC 913110
 - Endrail kit (12.5mm) for thermaline 80 units, left PNC 913200
 - Endrail kit (12.5mm) for thermaline 80 units, right PNC 913201
 - Insert profile D=800mm PNC 913230
 - Perforated shelf for warming cabinets and cupboard bases (one-side operated TL80-85-90 and two-side operated for TL80) PNC 913234
 - Energy optimizer kit 32A - factory fitted PNC 913247
 - Side reinforced panel only in combination with side shelf, for freestanding units PNC 913257
 - Shelf fixation for TL80-85-90 one-side operated, TL80 two-side operated PNC 913281
 - Filter W=800mm PNC 913665
 - Stainless steel dividing panel, 800x800mm, (it should only be used between Electrolux Professional thermaline Modular 80 and thermaline C80) PNC 913669
 - Electric mains switch 63A 10mm² NM for modular H800 electric units (factory fitted) PNC 913677
- Stainless steel side panel, 800x800mm, flush-fitting (it should only be used against the wall, against a niche and in between Electrolux Professional thermaline and ProThermetic appliances and external appliances - provided that these have at least the same dimensions) PNC 913685

Front

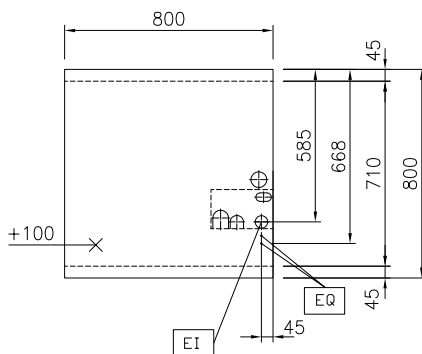


Side



EI = Electrical inlet (power)
 EQ = Equipotential screw

Top


Electric
Supply voltage:

588361 (MALDFCHDAO) 400 V/3N ph/50/60 Hz

Electrical power max.:

12 kW

Key Information:
Configuration: On Base;Two-Side Operated

Front Plates Power: 3 - 3 kW

Back Plates Power: 3 - 3 kW

Solid top usable surface (width): 670 mm

Solid top usable surface (depth): 650 mm

External dimensions, Width: 800 mm

External dimensions, Depth: 800 mm

External dimensions, Height: 800 mm

Storage Cavity Dimensions (width): 580 mm

Storage Cavity Dimensions (height): 330 mm

Storage Cavity Dimensions (depth): 740 mm

Net weight: 145 kg

Sustainability
Current consumption: 26 Amps